

# LF circuit breaker

SF6 breaking up to 17.5 kV

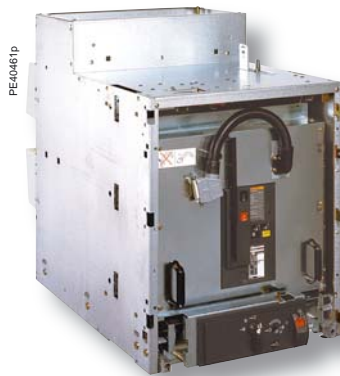
**LF circuit breaker is used to protect and control MV public or industrial distribution network.**

**LF is an indoor switchgear**

- Rated voltage from 7.2 to 17.5 kV
- Rated short-circuit breaking current up to 50 kA
- Rated normal current from 630 to 3150 A.

**LF is available in 2 versions:**

- **Withdrawable** with cradle
- **Fixed:** can be completed by kits and delivered in separate components.



## Conformity with standards

- IEC 60694: common specifications for high voltage switchgear and controlgear standards
- IEC 62271-100: high voltage alternating current circuit breaker
- IEC 62271-200 (previously IEC 60298): AC metal-enclosed switchgear and controlgear for rated voltages above 1 kV and up to and including 52 kV.

## Certification

- By independent laboratories in accordance with ISO/IEC 17025 and EN 45011 standards
- Our factories implement a quality system certified to ISO 9001 and ISO 9002 standards by IQNET.

## Installation

- Fixed
- Designed for retrofit
- Cradle can be delivered separately.

## Operation

- The operating mechanism is identical to that of the Merlin Gerin SF6 MV circuit breaker SF ranges
- Metal protection shutter on cradle
- Racking in/out operation possible in the cubicle with the door closed.

## A full range of accessories and auxiliaries factory-mounted or delivered separately

- Electric motor (M)
- Undervoltage release (YM)
- Shunt opening releases (YO1, YO2)
- Low energy release (MITOP)
- Shunt closing release (YF)
- Auxiliary contacts
- Operations counter
- Locking by padlocks and/or keylocks/sealing.

PE55761



### Electrical characteristics according to IEC 62271-100

LF fixed				LF1			
Rated voltage	<b>Ur</b>	kV 50/60 Hz		7.2	12		
Insulation level							
- power frequency withstand	<b>Ud</b>	kV 50 Hz 1min (*)		20	28		
- lightning impulse withstand	<b>Up</b>	kV peak		60	75		
Rated current	<b>Ir</b>	A	630	■	■	■	■
			1250	■	■	■	■
			2000	-	-	-	-
			2500	-	-	-	-
			3150	-	-	-	-
Short circuit current	<b>Isc</b>	kA		25	31.5	25	31.5
Short time withstand current	<b>Ik/tk</b>	kA/3 s		25	31.5	25	31.5
Short-circuit making current	<b>Ip</b>	Peak kA	50 Hz	63	79	63	79
			60 Hz	65	82	65	82
Rated switching sequence		O-3 min-CO-3 min-CO		■	■	■	■
		O-0.3 s-CO-3 min-CO		■	■	■	■
		O-0.3 s-CO-15 s-CO		■	■	■	■

PE4041p



### LF withdrawable (circuit breaker/cassette)

LF withdrawable (circuit breaker/cassette)				LF1/MC1			
Rated voltage	<b>Ur</b>	kV 50/60 Hz		7.2	12		
Insulation level							
- power frequency withstand	<b>Ud</b>	kV 50 Hz 1min (*)		20	28		
- lightning impulse withstand	<b>Up</b>	kV peak		60	75		
Rated current	<b>Ir</b>	A	630	■	■	■	■
			1250	■	■	■	■
			2000	-	-	-	-
			2500	-	-	-	-
			3150	-	-	-	-
Short circuit current	<b>Isc</b>	kA		25	31.5	25	31.5
Short time withstand current	<b>Ik/tk</b>	kA/3 s, kA/1 s		25	31.5	25	31.5
Short-circuit making current	<b>Ip</b>	Peak kA	50 Hz	63	79	63	79
			60 Hz	65	82	65	82
Rated switching sequence		O-3 min-CO-3 min-CO		■	■	■	■
		O-0.3 s-CO-3 min-CO		■	■	■	■
		O-0.3 s-CO-15 s-CO		■	■	■	■

### Common characteristics

Operating times		Opening ms	48
		Breaking ms	70
		Closing ms	65
Service temperature	<b>T</b>	°C	- 25 to + 40
Mechanical endurance		Class	M2
		Number of switching operations	10,000
Electrical endurance		Class	E2
Capacitive current breaking capacity		Class	C2

(\*) Ud 42 kV 50 Hz, 1 min possible

(\*\*) Rated short-circuit breaking duration (tk): 1 s

■ Available

- Not available.

LF2					LF3											
7.2		12	17.5		7.2				12				17.5			
20		28	38		20				28				38			
60		75	95		60				75				95			
■	■	■	■	■	-	-	-	-	-	-	-	-	-	-	-	-
■	■	■	■	■	-	-	-	-	-	-	-	-	■	-	-	■
■	■	■	■	■	-	-	-	-	-	-	-	-	-	-	-	-
-	-	-	-	-	■	■	■	■	■	■	■	■	■	■	■	■
-	-	-	-	-	-	■	■	■	■	-	■	■	■	■	■	■
40	50	40	25	31.5	25	31.5	40	50	25	31.5	40	50	25	31.5	40	
40	50	40	25	31.5	25	31.5	40	50	25	31.5	40	50	25	31.5	40	
100	125	100	63	79	63	79	100	125	63	79	100	125	63	79	100	
104	130	104	65	82	65	82	104	130	65	82	104	130	65	82	104	
■	■	■	■	■	■	■	■	■	■	■	■	■	■	■	■	■
■	■	■	■	■	■	■	■	■	■	■	■	■	■	■	■	-
■	■	■	■	■	■	■	■	■	■	■	■	■	■	■	■	-
LF2/MC2					LF3/MC3											
7.2		12	17.5		7.2				12				17.5			
20		28	38		20				28				38			
60		75	95		60				75				95			
■	■	■	■	■	-	-	-	-	-	-	-	-	-	-	-	-
■	■	■	■	■	-	-	-	-	-	-	-	-	-	-	-	-
-	-	-	-	-	-	-	-	-	-	-	-	-	■	-	-	■
-	-	-	-	-	■	■	■	■	■	■	■	■	■	■	■	■
-	-	-	-	-	-	■	■	■	■	-	■	■	■	■	■	■
40	50	40	25	31.5	25	31.5	40	50	25	31.5	40	50	25	31.5	40	
40	50 (**)	40	25	31.5	25	31.5	40	50 (**)	25	31.5	40	50 (**)	25	31.5	40	
100	125	100	63	79	63	79	100	125	63	79	100	125	63	79	100	
104	130	104	65	82	65	82	104	130	65	82	104	130	65	82	104	
■	■	■	■	■	■	■	■	■	■	■	■	■	■	■	■	■
■	■	■	■	■	■	■	■	■	■	■	■	■	■	■	■	-
■	■	■	■	■	■	■	■	■	■	■	■	■	■	■	■	-

## Specific applications

### Protection of generators and power station auxiliaries

All circuit breakers in the LF range break short circuit currents with an asymmetry of at least 30%.

In cases where the network constant X/R is greater than 45 ms, the asymmetry to be broken is higher; this is often the case of circuit breakers protecting nuclear or thermal power station auxiliaries or circuit breakers that are close to generator sets or large transformers.

Specific tests have been carried out:

Circuit breakers	kV	kA	Asymmetry
LF2	7.2	43.5	50%
LF3	7.2	43.5	50%
	12	40	50%
	17.5	25	100%

### Switching and protection of capacitor banks

LF range circuit breakers are particularly well suited to switching and protection of capacitor banks; they are classed C2 according to standard IEC 62271-100.

Tests carried out according to the standard for breaking at 400 A with making and breaking cycles in case of a capacitor bank with a making current of 20 kA.

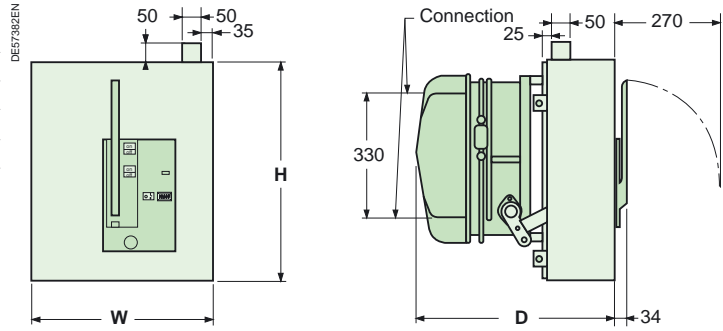
Additional tests have been carried out: please consult us.

## Dimensions and weights

### Device

#### Basic fixed

Circuit breaker		LF1	LF2	LF3
Dimensions (mm)	W	493	554	728
	H	590	590	590
	D	536	536	536
Weight (kg)		106	128	149.5



#### Basic withdrawable

C.B./Cassette		LF1/MC1	LF2/MC2	LF3/MC3
Phase to phase (mm)	E	145	185	240
Dimensions (mm)	W	556	686	886
	H	980	980	980
	D	1223	1223	1223
Weight (kg)		245	285	325 (1250 A) 365 (2500 A) 435 (3150 A)

